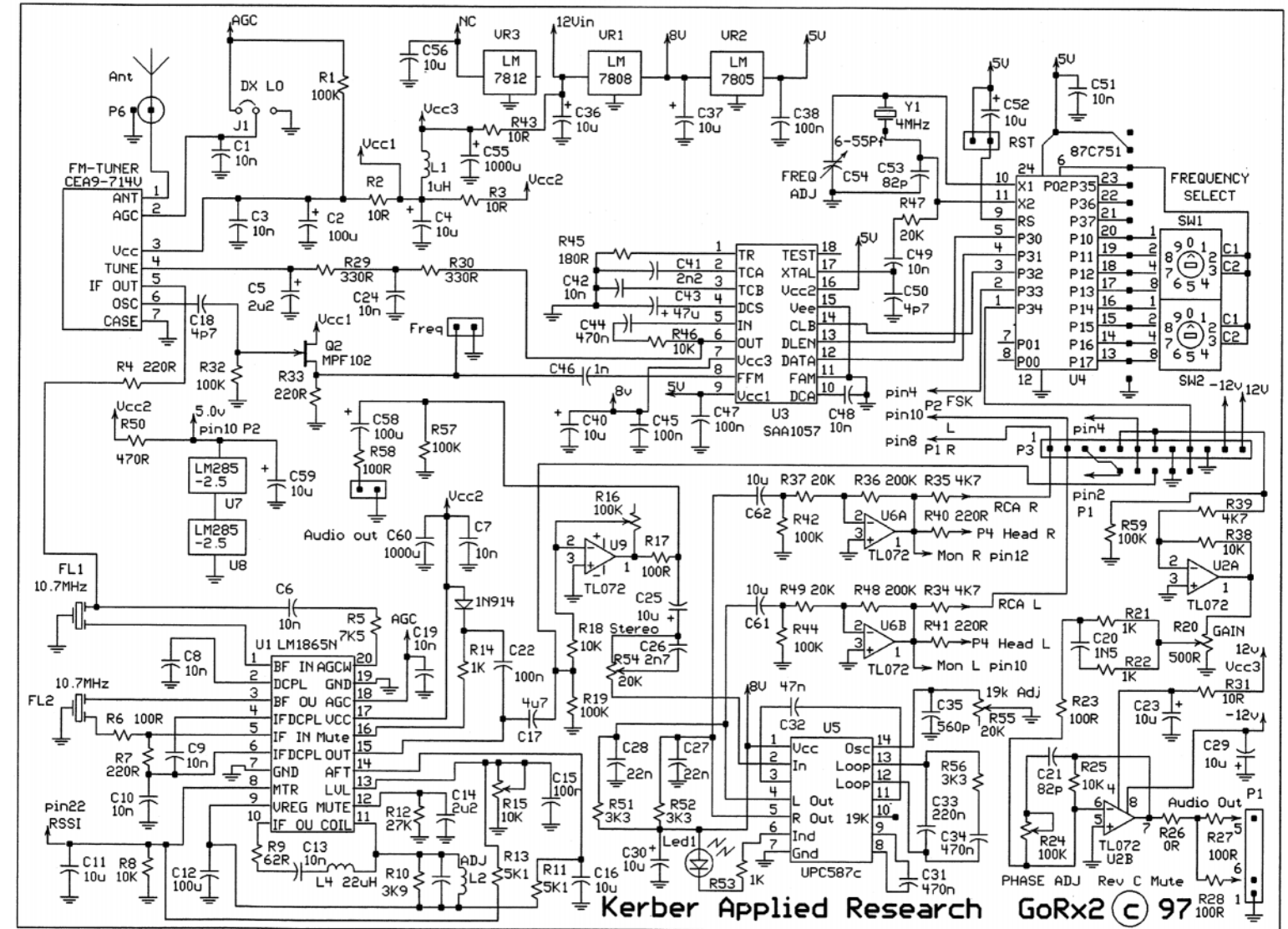
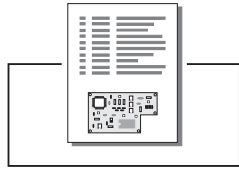


Illustration 6-16 Receiver Board



Receiver Board