

## 1 + 1 Redundant Transmitter Systems

- Available in power levels from 100 watt to 5kW
- Ultimate in redundant backup for your site
- Simple to install and maintain
- Remote control via any web enabled device
- 1 + N Configurations also available



---

### System Includes

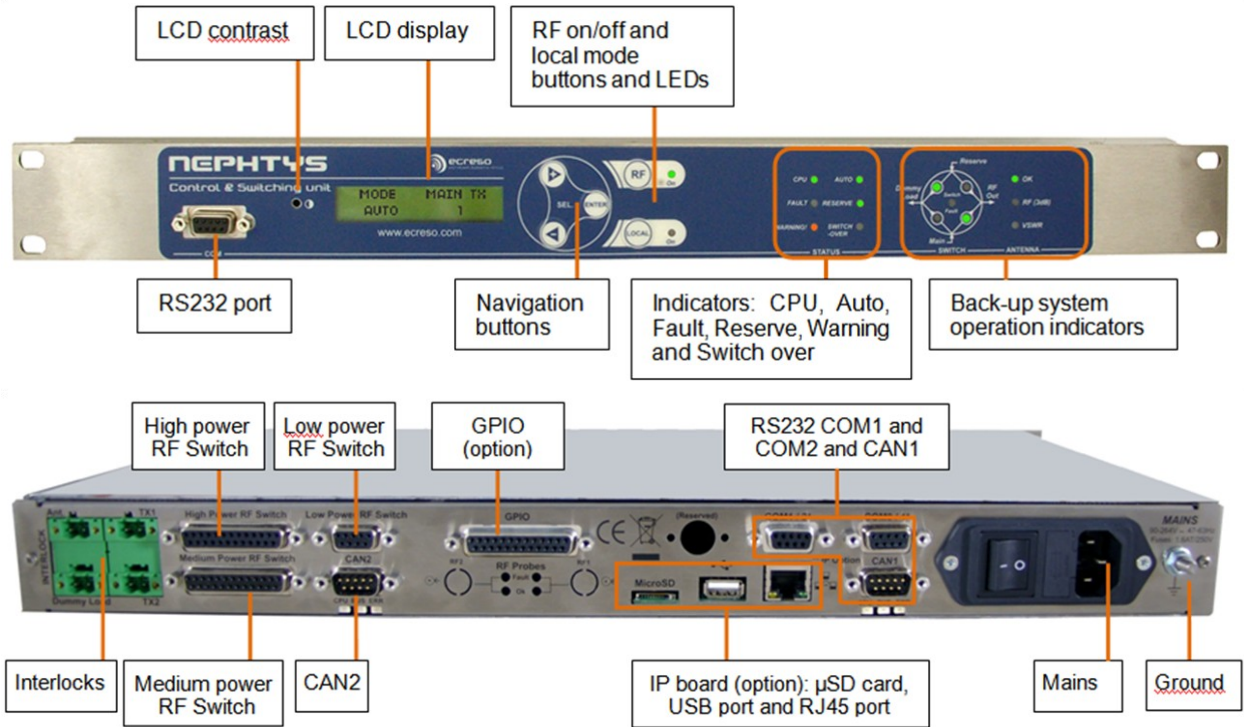
- 2 Transmitters of like power
- Control / Switching unit
- RF Switch
- All cables
- Optional Dummy Load

---

### Transmitter Options Available

- Base unit with Analog or Digital GPIO for connection to external remote control
- Full System includes built-in TCP/IP board for remote command and control also includes:
  - Advanced measurement interface
  - Dynamic RDS generator
  - Built-in audio back up via micro sd card

# Transfer Switch



## Cabling Set Up of 1 + 1 System

