

E-Series Dual Drive Transmitter Systems

- Dual Exciters offer maximum uptime
- Available in power levels from 3kW to 5kW
- Simple to install and maintain
- Remote control via any web enabled device



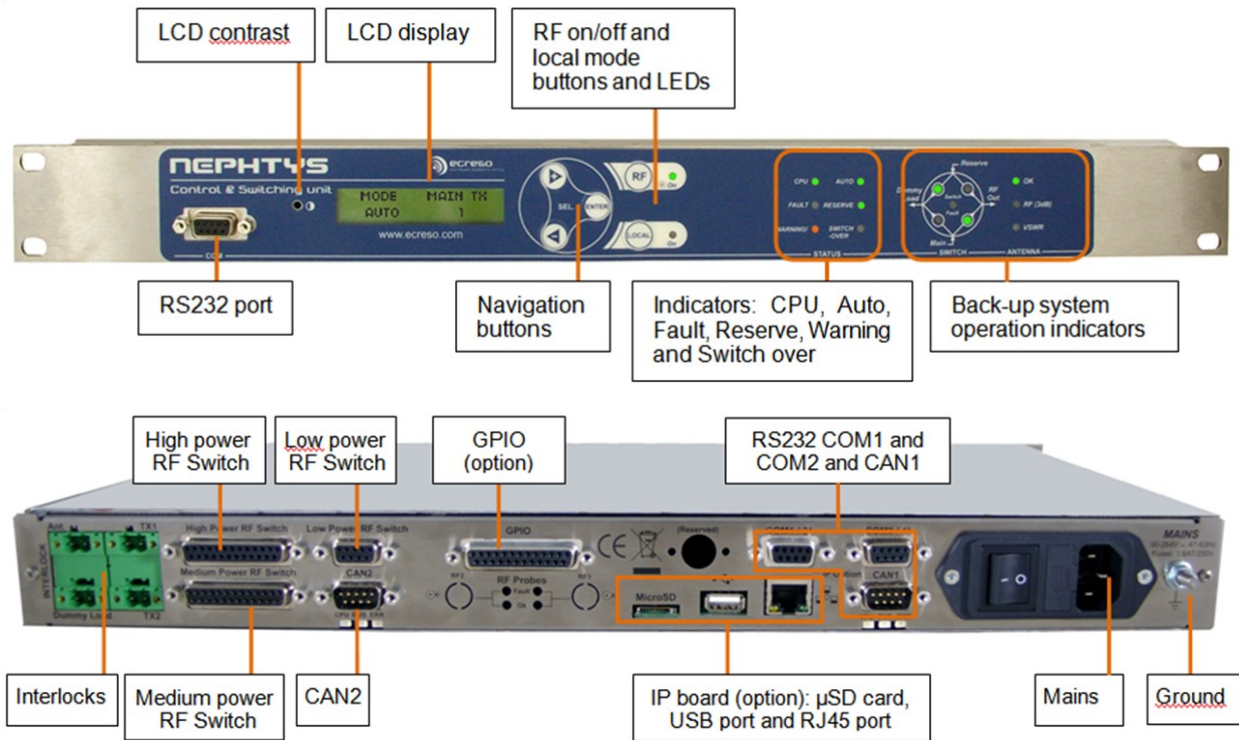
System Includes

- 2 x FME100 Exciters
- 3 to 5kw Amplifier
- Control / Switching unit
- RF Switch
- All cables

Transmitter Options Available

- Base unit with Analog or Digital GPIO for connection to external remote control
- Full System includes built-in TCP/IP board for remote command and control also includes:
 - Advanced measurement interface
 - Dynamic RDS generator
 - Built-in audio back up via micro sd card

Transfer Switch



Equipment Description

Connected by CAN bus to any one of the new E-Series product, the Control Unit can detect any fault and automatically switch to the reserve transmitter or exciter in case of failure of the on-air system. It can also act as the central management unit of your FM transmitter.

The Control Unit can be equipped with GPIOs and TCP/IP communications for web and SNMP based monitoring and control. It is compatible with a large range of RF switches (from N to 1 5/8") that are used in our Dual Drive and 1+1 turnkey solutions and also includes the necessary interlock connections on the rear panel.

The compact 1RU Control Unit has been designed for maximum reliability and ease of use from both the intuitive local and remote interfaces.